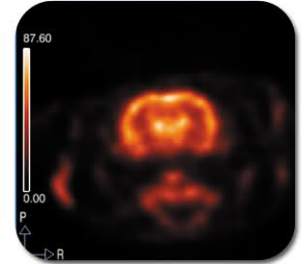
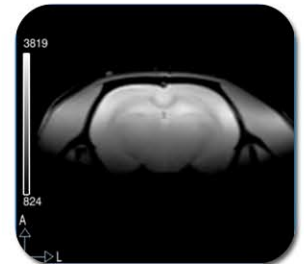


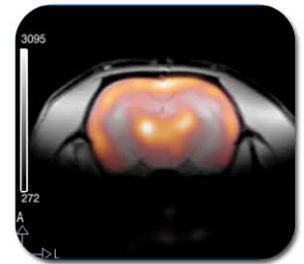
PET



MR



PET/MR



SuperArgus PET/MR brings a revolution in the preclinical market, for the first time, state-of-the-art 3T MRI and cutting-edge phoswich PET detector technology are fully integrated as one.

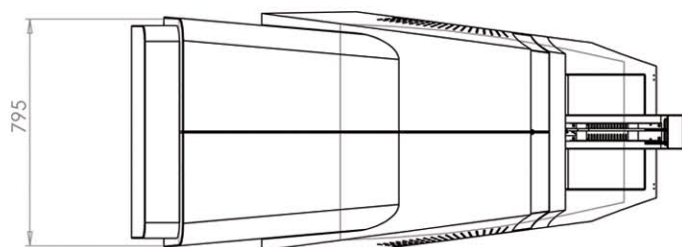
SuperArgus PET/MR allows you to get precisely aligned morphology, function and metabolism acquisitions, reaching most demanding high-end research requirements.

SuperArgus PET/MR is the combination of our unique submillimetric phoswich PET detector technology with the most advanced preclinical Cryogen-free Superconducting 1.5T/3T MR.

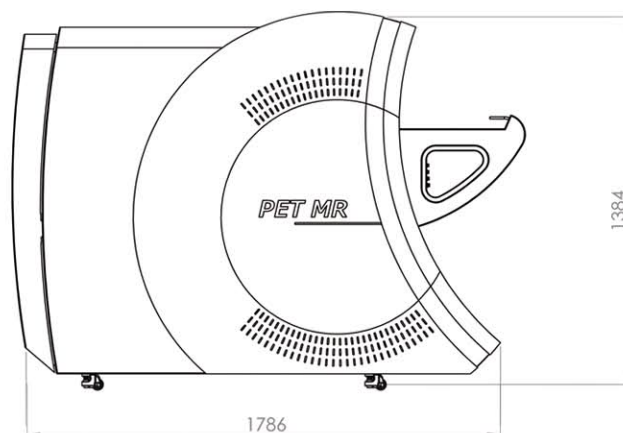
The integrated animal bed allows the capture of high-quality images with the animal in the same position. Room requirement is minimal thanks to the compact size of the system, and much reduced fringe field.

SuperArgus PET/MR

PET	SPECIFICATIONS	MR
<ul style="list-style-type: none"> Phoswich DOI tecnologia 4 lines of response per crystal pair FOV for full body mices and rats Submillimetric spatial resolution in the complete FOV Abs center point sensitivity 100-700 keV 6.5% Timing resolution 1.5 ns Ultra fast reconstruction time: 1.5 sc FBP, 1 min 2DOSEM, 2 min 3DOSEM 		<ul style="list-style-type: none"> 1.5T/3T, translational field strenghts Superconductive Magnet type Cryogen-free Integral RF shield Volume receive coils Head coils



- Dimensions in mm



C/ Pelaya, 13 - Polígono Industrial "Río de Janeiro"
 28110 - Algete (Madrid-SPAIN)
 Tel: (34) 91 - 628 0544
 Fax: (34) 902 190 385
 Email: info@sedecal.com



SEDECAL USA Inc
 2920 N Arlington Heights Rd.
 Arlington Heights, Illinois 60004
 USA. Tel: 1 (847) 394 - 6960
 Fax: 1 (847) 394 - 6966
 Email: sales@sedecalusa.com